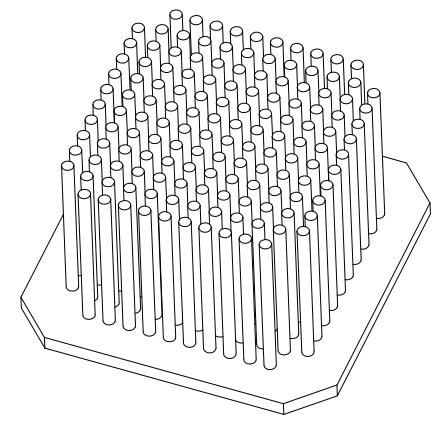
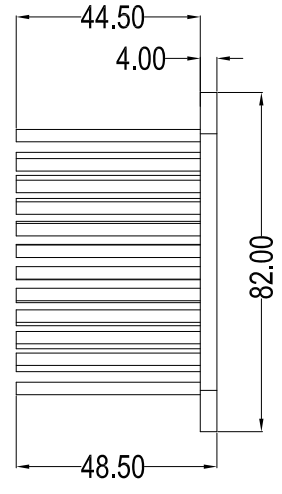
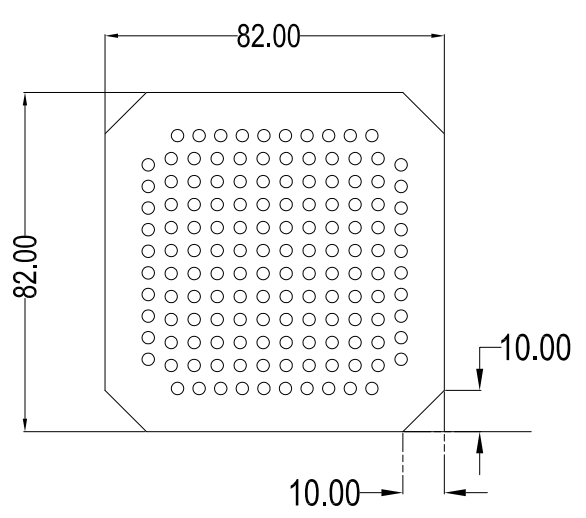


REVISED RECORD				
REV NO.	CONTENT	CHG BY	DATE	APPROVED BY
1		Ivan		



Material	AL1070
Technology	Cold forging
Dimension	82*82*48mm
Adjustable height	15-48mm
Base thickness	3-4mm
Fin height	10-44mm
Applicable power	20-25W

- Notes:
1. Material: AL1070.
 2. Finish: Anodized Black or Anodized Silver.
 3. RoHs compliant.

UNLESS OTHERWISE SPECIFIED TOLERANCES		COOLTRON INDUSTRIAL SUPPLY, INC. 		
X. XXX	±0.127			
X. XX	±0.15			
X. X	±0.2			
X. X°	±0.5°			
DRAWN	Ivan	DATE	TITLE:	
CHECKED		DATE	Drawing Number: DG082-025-001	
APPROVED		DATE	Process:	SCALE 1:1
THIRD ANGLE		PROJECT	Heat sink	
			SHT 1 OF 1	