



200W K-COB LED Area/Street Light TE1200-001-A01 (24,000Lumens)

K-COB Street Light



Features :

- Patented 200W High Efficacy (140lm/w) & Least Thermal Requirement COB Chip ($T_c < 70^\circ\text{C}$)
- Industry's Best Patented Super Speedy (Sonic Speed) Phase-Change Cooling Solution
- Operating Temperature: $-40^\circ\text{C} \sim 55^\circ\text{C}$ ($-40^\circ\text{F} \sim 131^\circ\text{F}$)
- IP Protection: IP67
- Life Span(L70) > 50,000hrs
- Great Varieties of LED Street Lighting Applications

Electrical Specifications:

Model Number: TE1200-001-A01
Wattage: 200W
Voltage: AC90-305V 50/60Hz
LED Light Source: 200W K-COB Chip
Power Factor (PF): ≥ 0.92
Driver Efficiency: $\geq 93.5\%$
Surge Protection: IEEE C62.41.2 10KV/10KA

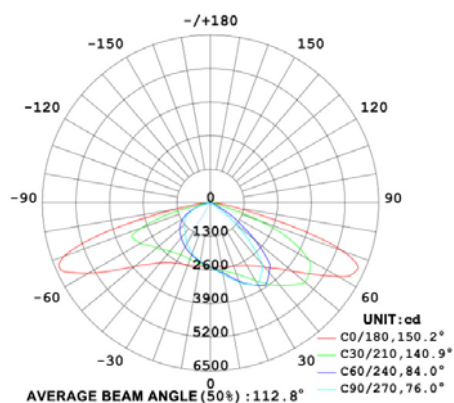
Mechanical Specifications:

Dimension (mm): $\phi 366 \times 402 \text{mm}$
Patented Aluminum Phase Change Heat Radiator and Micro Nano Working Fluid
Life Span(L70) > 50,000hrs @ 25°C
IP Rating: IP67

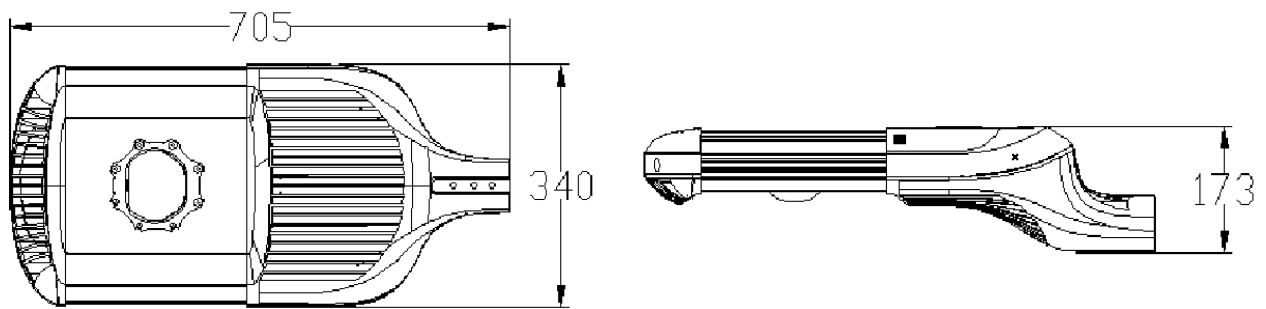
Photometric Specifications:

Luminous Flux: 22,000~26,000lm
Color Rendering Index(CRI): > 70Ra
Color Temperature(CCT): 2200~6500K
Optional Beam Angle: $90^\circ / 120^\circ$
Type I, II, III, IV optional

Light Distribution Curve:

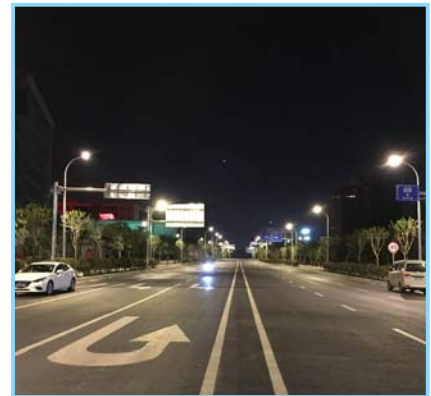
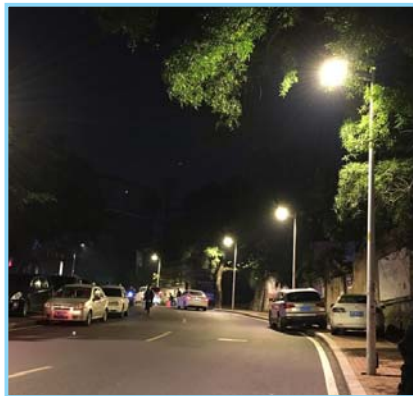


TE1200-001-A01 Dimensions:



Applications:

A Great Variety of Applications on Area/Street Lighting, like Freeways, Streets, Bridges, Tunnels, Parks, Shopping Plazas, Parking Lots and more.



Item	Model Number	LED Power (W)	Size (mm)	Net Weight (kg)	Gross Weight (kg)
1	TE1100	100W	605x340x173	10.0	11.2
2	TE1150	150W	645x340x173	11.0	12.5
3	TE1200	200W	705x340x173	12.5	13.8
4	TE1250	250W	765x340x173	14.0	15.5