

LED High Bay Light - HeatSink (HF Series)

Patented Seamless Heat Pipes Embedding & Riveting, and Fins Insertion Technologies

Cooltron's patented heat pipes technologies enable perfect heat pipes embedding - flat and tight, along the heat sink base, and securely riveting through the stamped fin arrays. Also, tightly inserted into heat sink base fins help reduce thermal resistance to a minimum due to possible gaps between heat pipes, fins and heat sink base.

500W



Easy & Flexible LED Drivers Installation

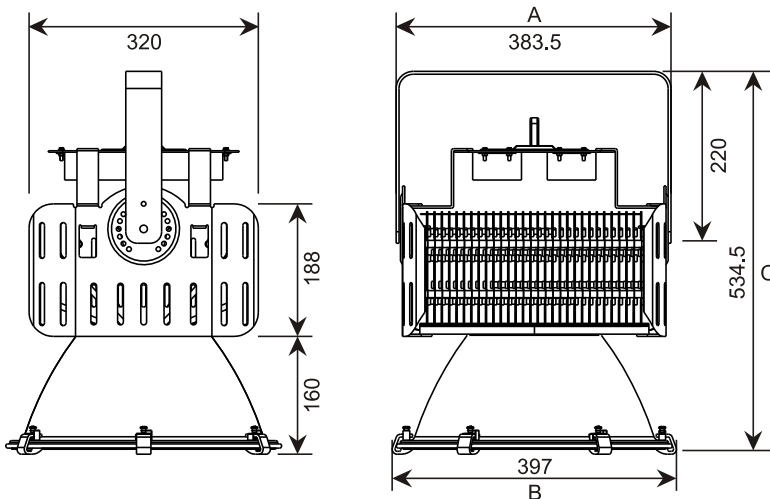
The multiple holes mounting plate design is flexible to place either single or dual LED drivers.

Protection Plates with Ventilators Design

2 Side protection plates help protect fragile heat pipes from any impact or damages and multiple holes on the protection plates help heat convection with the ambient.

IP65 Rated Ingress Protection

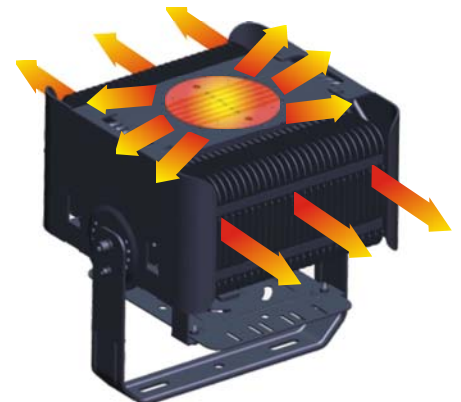
Dimension



HF1500 (unit: mm)

Heat Dissipation Sketch

The perfect combination of heat dissipation and thermal conduction. 3D type radiator which is formed from cooling modules and fin ducts can greatly lower down the temperature of light source, extending its life span.



Product Features



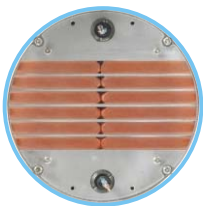
Lampshade Respirator Design

The lampshade respirator design, though water-proof, allows air-exchange to avoid any foggy condition that humidity will affect light quality.



Adjustable Multiple Angles Mounting Brackets

The heat sink assembly's mounting brackets have 17 holes to adjust to the desired mounting angle (up to 288°) for LED light installation conveniences.



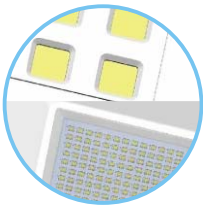
Patented Seamless Heat Pipes Embedding Technologies

Coolton's patented heat pipes technologies enable perfect heat pipes embedding - flat and tight, along the heat sink base.



Tempered Glass Cover

The 4mm thick tempered glass cover provides strong resistance to heat and impact and ensures operation safety. The tempered glass cover also supply better than industry average light transmittance rate over 91% maximum.



Flexible Adoption of Great Variety SMD LED Modules

This thermal design allows choices of great variety of SMD LED modules and saves products series development costs and efforts.

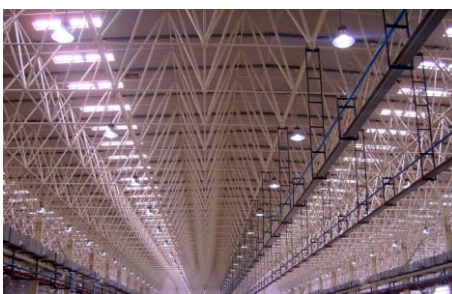


Multi-Angle Reflector Options

Industry's most advanced reflector with multiple reflective angles options - 25°, 60°, 90° suitable for different light distribution coverage that different application needs. The maximum light reflectivity is over 87% with glass cover.

Application

Product Application: workshops, industrial plants, warehouses, highway toll stations, gas stations, supermarkets, exhibition halls, stadiums and other lighting places. It can replace the traditional metal halide and high pressure sodium.



Model Number	Power (W)	Size (mm)	PCB Size (mm)	Chip Model	LED QTY (pcs)	Series/Parallel	Power Supply
HF1300	300W	A:301.5xB:397xC:534.5	Ø132x2.0	3030(6V/1W)	300	(5S/30P) x2	30V (6A)
HF1400	400W	A:324.5xB:397xC:534.5	Ø132x2.0	3030(6V/1W)	400	(5S/40P) x2	30V (6A) x2
HF1500	500W	A:383.5xB:397xC:534.5	Ø132x2.0	3030(6V/1W)	450	(5S/45P) x2	30V (7.5A) x2

※ The above parameters are for reference only, ultimately you have to refer to the physical specification issued by the Company.

※ All the products are supplied in kits which does not include power and lamp beads.