

LED High Bay Light - Heat Sink (HU Series)

Integrated Thermal Design

Integrated design with cooling and fins, which greatly enhance the heat dissipation area. Improve thermal performance through air convection.

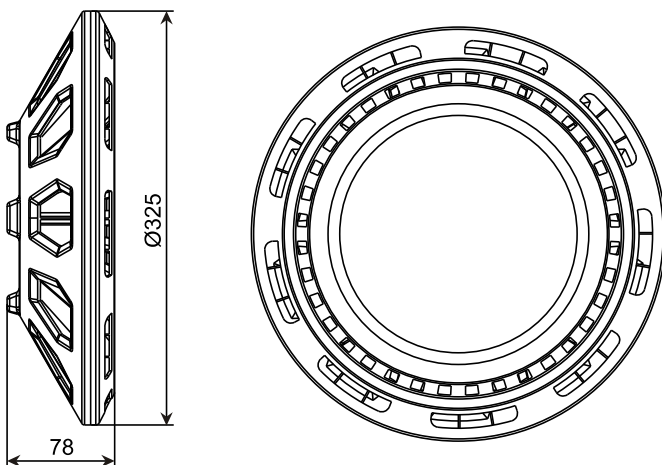
Excellent Design

UFO Ultra-thin shape design with pure aluminium protects constructure.

160W

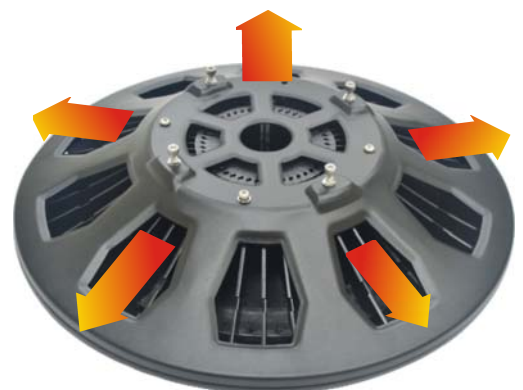


Dimension



Heat Dissipation Sketch

The perfect combination of heat dissipation and thermal conduction. 3D type radiator which is formed from cooling modules and fin ducts can greatly lower down the temperature of light source, extending its life span.



Model Number	Power (W)	Size (mm)	Lamp Panel Size (mm)	Chip Model	LED QTY (pcs)	Series/Parallel	Electrical Parameter
HU1160	160W	φ 325X78mm	φ 199X2mm	SMT/3030	245	7S/35P	21.6~36V 4.5A

※ The above parameters are for reference only, ultimately you have to refer to the physical specification issued by the Company.
 ※ All the products are supplied in kits which does not include power and lamp beads.

Product Features



Integrated Thermal Design

Integrated design with cooling and fins, which greatly enhance the heat dissipation area. Improve thermal performance through air convection.



Patented Riveting Technology

Mainly using Al1050 cooling fins with 4mm pure aluminium plate to tighten during riveting process.



High Light Transmission Lens

Lens with high light transmission PC materials; 60°, 90°, 120° angles adjustable points.



Lens Respirator Design

Integrated design with respirator and lens which reduces assembly issue; Can clear fog; Avoid condensation; life-extending.

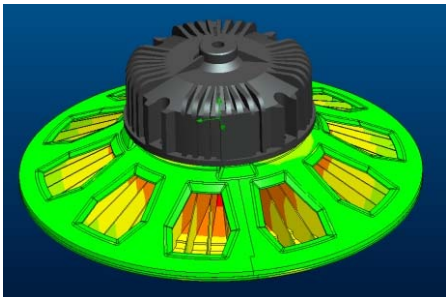
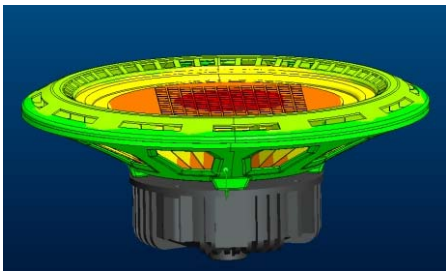
Application

Product Application: workshops, industrial plants, warehouses, stadiums, airport terminal and other lighting places.



Heat Dissipation Simulation

Simulation under SMT Chip Model#3030
Power=160W Ta=25 Tc=85 $\Delta T=60$ Rca=0.375°C/W



Temperature Rise Curve

Model Number	LED Power (W)	Ambient Temperature Ta (°C)	Heat Sink Temperature Tc (°C)	Temperature Rise ΔT (°C)	Thermal resistance Rca (°C/W)	Angle of LED Simulator
HU1160-001-A01	160	25	85	60	0.375	90°

