

# LED High Bay Light - Heat Sink (HU Series)

## Integrated Thermal Design

Integrated design with cooling and fins, which greatly enhance the heat dissipation area. Improve thermal performance through air convection.

## Excellent Design

UFO Ultra-thin shape design with pure aluminium protects constructure.

## LED Driver Case Thermal Functions

Aluminum LED Driver case with ribs help dissipate high heat generated by LED Driver; (LED Driver Case Optional for Purchasing; LED Driver is not Included)

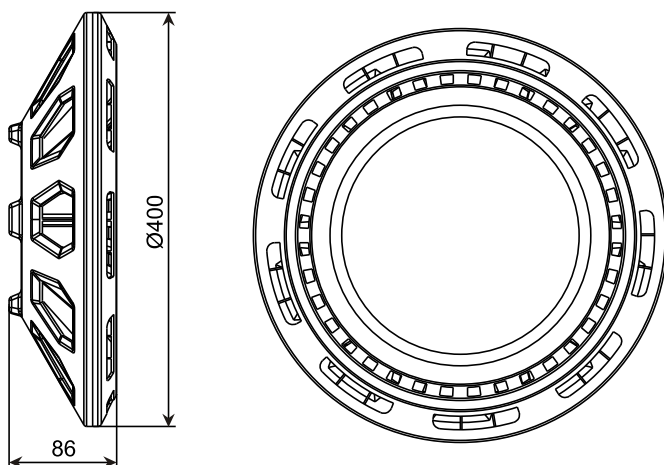
The gap between the LED Driver Case and the LED Light helps form air convection cooling.

IP65 Rated Ingress Protection

**240W**

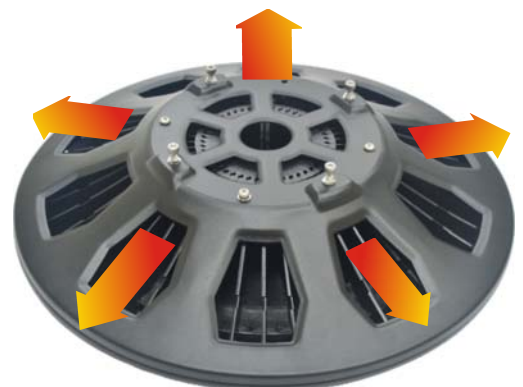


## Dimension



## Heat Dissipation Sketch

The perfect combination of heat dissipation and thermal conduction. 3D type radiator which is formed from cooling modules and fin ducts can greatly lower down the temperature of light source, extending its life span.



Model Number	Power (W)	Size (mm)	Lamp Panel Size (mm)	Chip Model	LED QTY (pcs)	Series/Parallel	Electrical Parameter
HU1240	240W	∅ 400X86mm	∅ 258X2mm	SMT/3030	360	9S/40P	36~60V 4.5A

※ The above parameters are for reference only, ultimately you have to refer to the physical specification issued by the Company.

※ All the products are supplied in kits which does not include power and lamp beads.

## Product Features



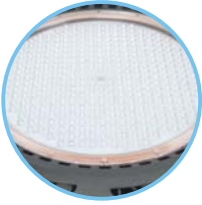
### Integrated Thermal Design

Integrated design with cooling and fins, which greatly enhance the heat dissipation area. Improve thermal performance through air convection.



### Patented Riveting Technology

Mainly using Al1050 cooling fins with 4mm pure aluminium plate to tighten during riveting process.



### High Light Transmission Lens

Lens with high light transmission PC materials; 60°, 90°, 120° angles adjustable points.



### Lens Respirator Design

Integrated design with respirator and lens which reduces assembly issue; Can clear fog; Avoid condensation; life-extending.

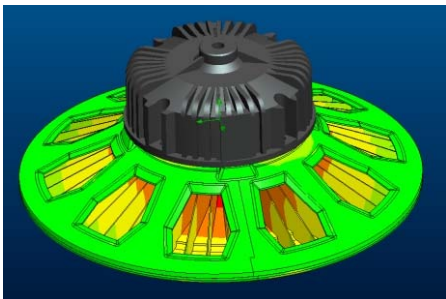
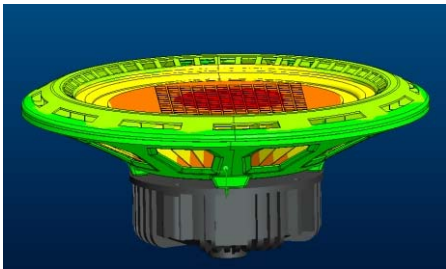
## Application

Product Application: workshops, industrial plants, warehouses, stadiums, airport terminal and other lighting places.



## Heat Dissipation Simulation

Simulation under SMT Chip Model#3030  
Power =240W Ta=25 Tc=83  $\Delta T=58$  Rca=0.24°C/W



## Temperature Rise Curve

Model Number	LED Power (W)	Ambient Temperature Ta (°C)	Heat Sink Temperature Tc (°C)	Temperature Rise $\Delta T$ (°C)	Thermal resistance Rca (°C/W)	Angle of LED Simulator
HU1240-001-A01	240	25	83	58	0.24	90°

