



1000W COB LED Flood Light / Spacious Area Light FE101K-001-A01 (120,000 Lumens)

COB Flood Light



Features :

- Current Market's Most Powerful (120,000 Lumens) But Least Thermal Demanding 1000W COB LED Flood Light / Spacious Area Light
- Patented 1000W High Efficacy (140lm/w) & Least Thermal Requirement COB Chip ($T_c < 80^\circ\text{C}$)
- Industry's Best Patented Phase-Change Heat Pipes Cooling Solution
- Sturdy & Integral Whole Light Fixture Design Against Any Harsh Weather Environment
- Better Thermal Conductive AL 6063 Aluminum Material But Lighter Weight Than Conventional Die-Casted Aluminum ADC12/A380
- Advanced Electrophoresis Surface Treatment for Best Corrosion Protection Against Harsh Environment

Electrical Specifications:

Model Number: FE101K-001-A01
Input Power: 1000W
Voltage: AC 90-305V 50/60Hz
LED Light Source: 2*500W K-COB Chip
Power Factor (PF): ≥ 0.96
Driver Efficiency: $\geq 93.5\%$
Operating Temperature: $-40^\circ\text{C} \sim 55^\circ\text{C}$ ($-40^\circ\text{F} \sim 131^\circ\text{F}$)
Surge Protection: IEEE C62.41.2 10KV/10KA

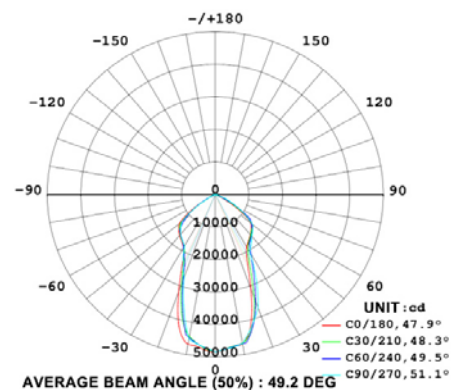
Mechanical Specifications:

Dimension: 606.5x350.5x345mm
High Reflectivity Aluminum Reflector
Life Span(L70) $> 50,000$ hrs @ 25°C
IP Rating: IP65

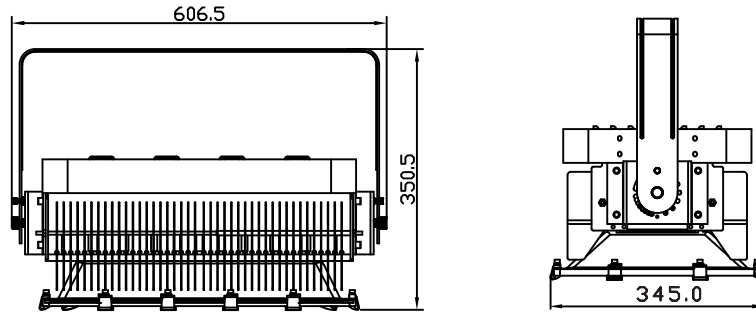
Photometric Specifications:

Luminous Flux: 120000lm
Color Rendering Index(CRI): $> 70\text{Ra}$
Color Temperature (CCT): 6000-6500K
Optional Beam Angle: $25^\circ / 45^\circ$

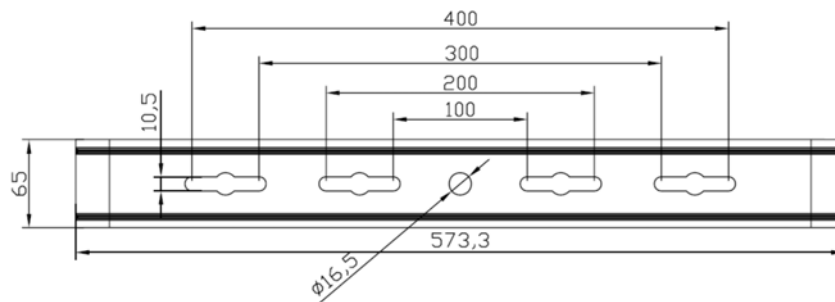
Light Distribution Curve:



FE101K-001-A01 Dimensions:



Installation (Mounting Bracket):



Applications:

A Great Variety of Applications on Spacious Environment, like Stadium, Gym, Air Port, Sea Port, Any Large Size Facilities and more.

